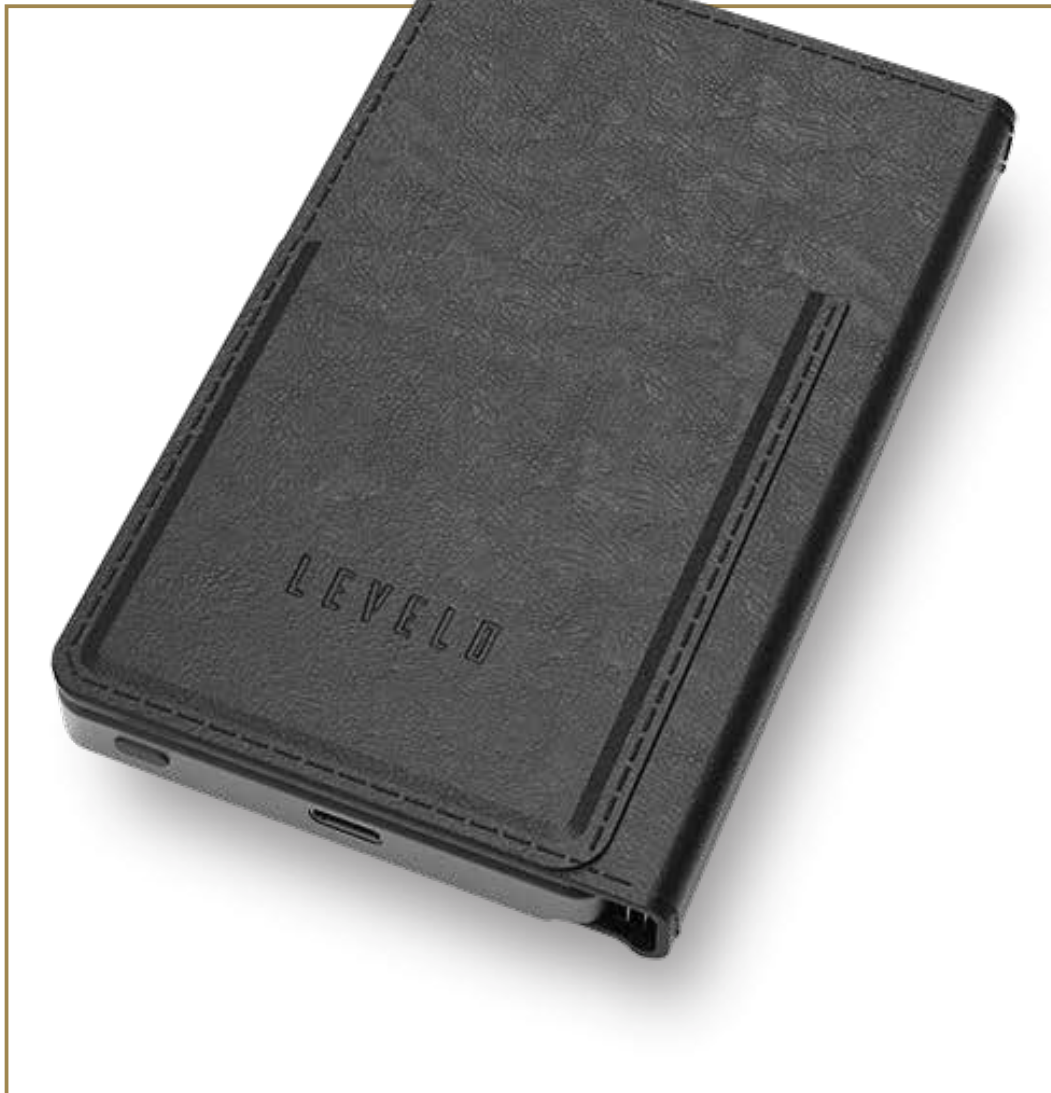


M LEVELD



Levelo

**Vermont Portable Wallet 5000mAh
Power Bank with Built-in Book-Type
Card Holder & Magnetic USB-C Cable**

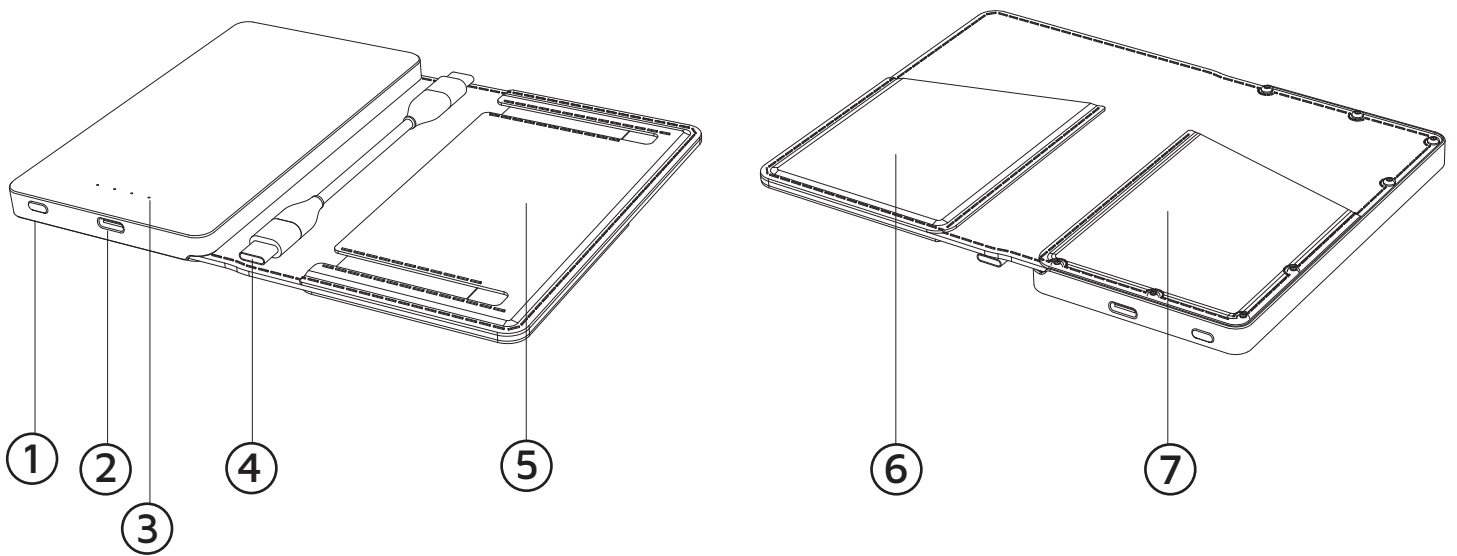
SKU: LVLVT5PPBK

Table of Contents

Schematic View	2
Specifications	3
Features	4
Charging Other Devices	4
Troubleshooting	4
Important Notes	5
Warning	5
Warranty	6
Contact Us	6

Thank you for choosing our portable wallet power bank. This device enables you to charge tablets, Bluetooth headsets, phones, and various types of smartphones, allowing you to enjoy a life of convenience. To achieve the best results from your new power bank, please ensure you read this manual thoroughly before use.

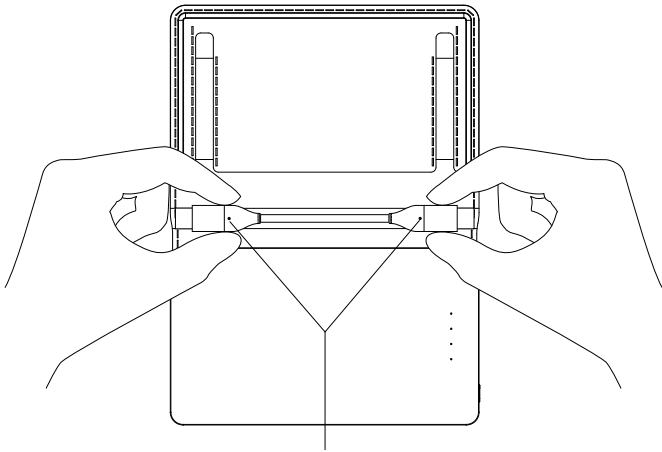
Schematic View



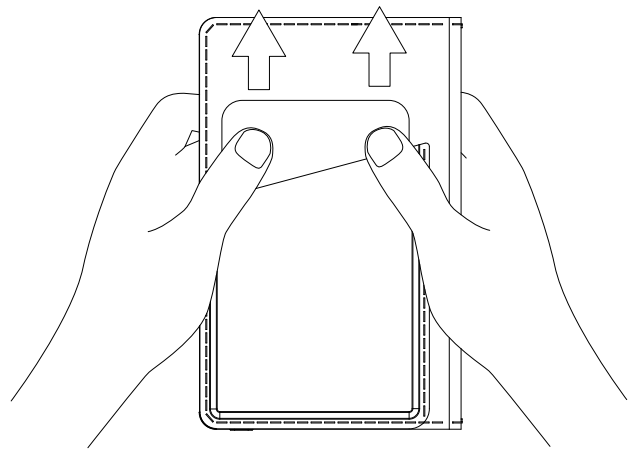
1. Power On/Capacity Check
2. Type-C Input/Output
3. Power Level LED Indicators
4. Magnetic Charging Cable

5. Slot with RFID Blocking Function
6. Slot with RFID Blocking Function
7. Slot without RFID Blocking Function

Note: We have incorporated RFID blocking functionality into slots 5 and 6 of the wallet power bank. This addition allows for the secure storage of Radio Frequency Identification (RFID) or Near Field Communication (NFC) cards, such as bus passes or keycards, on the right side of the back of the wallet-style power supply, providing peace of mind for your daily use.



Magnet, which can be directly attached to the center of the wallet power bank.



You can easily eject the card using your finger.

Note: For convenient storage, we have incorporated a magnet on the side featuring raised dots, enabling the magnetic charging cable to be directly attached to the middle of the wallet power bank.

Specifications

Capacity	5000mAh / 19.25Wh
Battery Type	Lithium - ion
Type-C Input	5V / 2.1A (10.5W)
Type-C Output	5V / 2.4A (12W)
Folded Size	79×123×12mm
Unfolded Size	166×122×10mm
Weight	166g

Features

1. Magnetic Charging Cable, convenient for storage and transport.
2. The compact wallet power bank has the capacity to accommodate multiple cards.
3. Small size, high capacity, and portable for on-the-go energy supply.
4. Protected by design, invention, and utility patents.
5. Two slots with RFID-blocking function safeguard your important cards.
6. Includes an option without RFID-blocking features that can store keycards, public transport cards, and ID cards, tailored to meet your everyday needs.

Charging Other Devices

Press the power button once to verify if the battery is sufficiently charged. LED indicators will light up in blue to display the available power for charging:

1. Blinking blue light = 0 % to 25 % power level
2. Blue light = 26 % to 50 % power level
3. Blue lights = 51 % to 75 % power level
4. Blue lights = 76 % to 99 % power level
5. Blue lights = 100 % power level

Troubleshooting

If following the operating instructions does not resolve your issue, please cease using this product and contact the distributor or service center for assistance.

During Charging		
Problem	Possible Cause	Solution
Charging Indicators does not turn on.	Using an inappropriate adapter for charging.	Please use the adapter recommended by the original manufacturer.
	Poor connection at the USB-C input/output port.	Re-check whether the USB-C input port or output port is properly connected.
	Using an unsuitable USB charging cable.	Please use the adapter recommended by the original manufacturer.

When Discharging

Problem	Possible Cause	Solution
Indicators remain on after disconnecting the adapter or unloading equipment.	It is a normal phenomenon. It takes some buffer time for the indicators to turn off.	It will automatically turn off after 15 seconds.
Using for a short time.	The battery life is nearing its end.	If there is still no power after recharging the battery, then the battery life has ended.

Important Notes

1. This power bank features a high-quality guarantee, using A-grade Lithium Cobalt Oxide cells. Please use with confidence.
2. Use the appropriate charging cable that matches your mobile phone and other digital devices.
3. It is normal for the power bank to experience slight heating during charging and discharging due to electrical consumption.
4. Please store this power bank in a cool and dry place. If not in use for an extended period, fully charge the power bank every six months.
5. We recommend using a regular charger that is compatible with this power bank to ensure the stability and longevity of use.
6. Avoid placing this power bank in contact with metal objects or tools to prevent scratching the surface or causing damage.

Warning

1. Do not attempt to open or dismantle the product.
2. Do not expose the power bank to naked flames or extreme heat.
3. Do not stand on or apply pressure to the power bank.
4. Do not allow children to play with the power bank.
5. Avoid leaving the power bank in your car for charging, as the dashboard can become very hot from the sun, potentially damaging the internal battery.
6. Ensure the device is not charging for extended periods in high temperatures; it has a maximum operating temperature of 45°C (113°F).

7. Stop using this power bank if you notice any expansion or breakdown, and contact your local distributor for support.

Warranty

Products procured directly from the **Levelo** website or physical store comes with a 24-month warranty. **Levelo** products purchased from any of our authorized dealers are guaranteed with a one-year warranty. If you wish to extend this warranty, you'll need to go to our website at <https://levelobrand.com/warranty> and fill out the necessary form, making sure to include your personal information and a photo of the product. After your request has been evaluated and accepted, we'll send you an email notification to affirm the extension of your product's warranty.

For more info, please check:

Website: <https://www.levelobrand.com/warranty>

Contact Us

If you have any questions about this Privacy Policy, please contact us at: Info@levelobrand.com

Website: <https://www.levelobrand.com/>

Email: Info@levelobrand.com

Instagram: [levelobrand](#)

Facebook: [levelobrand](#)